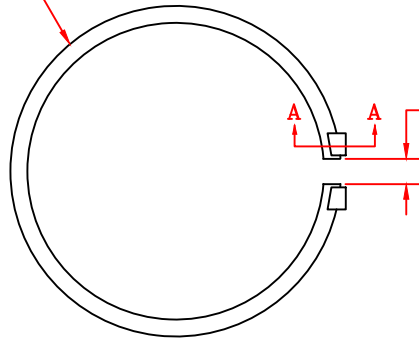
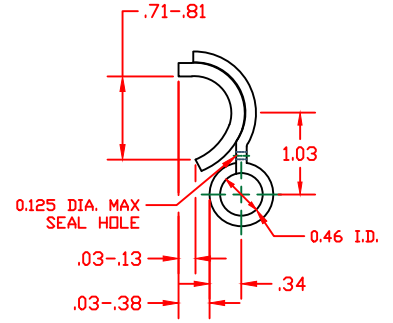
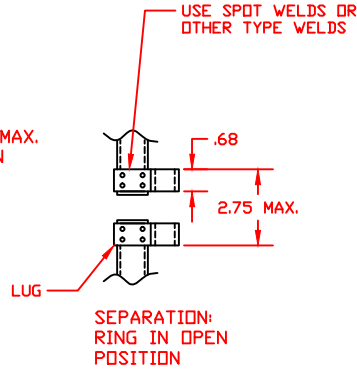


RING IN CLOSED POSITION



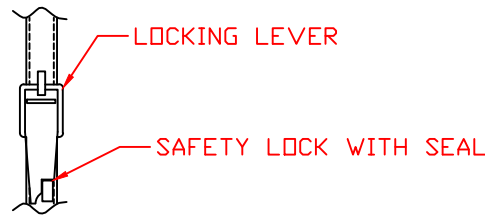
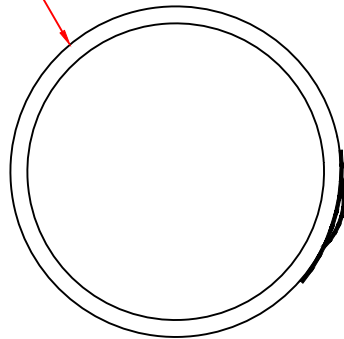
0.50 MIN.-0.75 MAX. SEPARATION



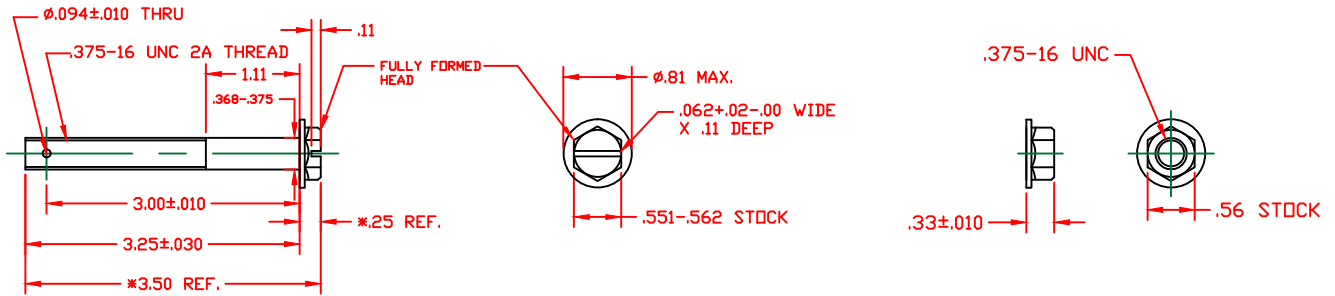
SECTION A-A

LOCKING RING STYLE 1

RING IN CLOSED POSITION



ALT. LOCKING RING STYLE 2



BOLT & NUT

CAPACITY GALLONS	STYLE 1 LOCKING RING	STYLE 2 LOCKING RING
16 AND 19	MS27683-80	MS27683-70
16 AND 19	MS27683-80A	MS27683-70A
20 AND 30	MS27683-81	MS27683-71
22, 27, 38, 45	MS27683-82	MS27683-72
57 AND 61		
30, 60 AND 80	MS27683-83	MS27683-73
34, 59 AND 79	MS27683-84	MS27683-74
30, 60 AND 80	MS27683-85	MS27683-75
29, 39, 58	MS27683-86	MS27683-76
AND 77		

MATERIAL: STEEL SPECIFICATION: ASTM A1011 HRS, LUG AND LOCKING RING 12 GA.

FINISH AND MARKING: IN ACCORDANCE WITH PROCUREMENT SPECIFICATION



300 Lake Road  
Medina, Ohio 44256  
sales@packspec.com  
(330) 723-6000, (800) 344-9271  
Fax (330) 725-8180

Title		REV.
DRUMS, METAL - SHIPPING AND STORAGE		
18 TO 80 GALLONS		
Tolerances Unless Otherwise Specified	Drawing No.	
xx Decimals ± .03		
xxx Decimals ± .005		PSI-MS27683
Angles ± 2°	Sheet No.	3 OF 3
PROCUREMENT SPECIFICATION	Date	07/08/2022
MIL-DTL-6054G	Designed By	
	Drawn By	TD
	Checked By	FT

Do not scale this drawing. Dimensions are in inches unless otherwise indicated