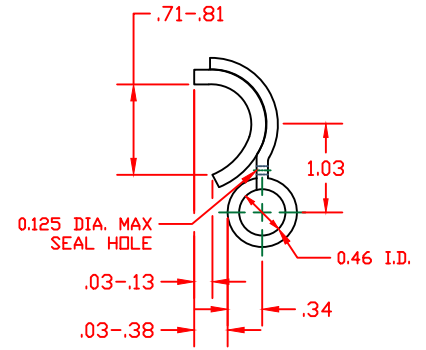
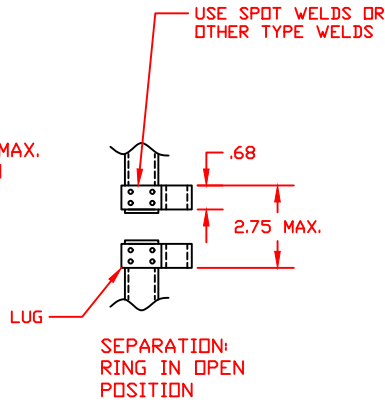
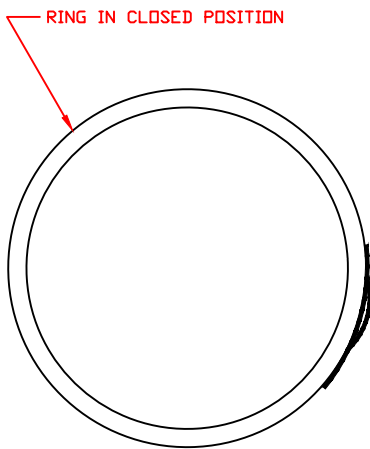


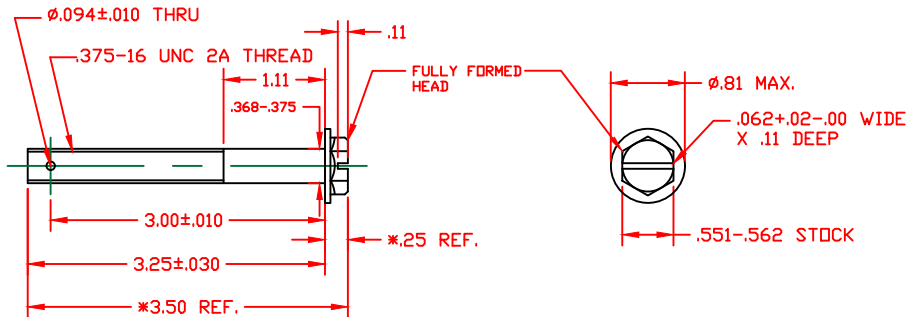
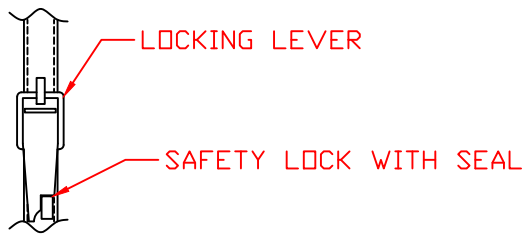
LOCKING RING STYLE 1



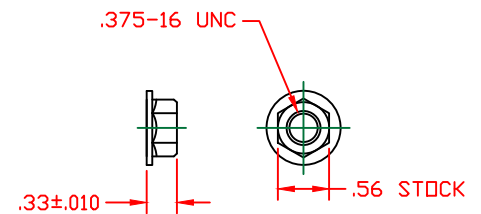
SECTION A-A



ALT. LOCKING RING STYLE 2



BOLT & NUT



CAPACITY GALLONS	STYLE 1 LOCKING RING	STYLE 2 LOCKING RING
16 AND 19	MS27683-80	MS27683-70
20 AND 30	MS27683-81	MS27683-71
22, 27, 38, 45	MS27683-82	MS27683-72
57 AND 61		
30, 60 AND 80	MS27683-83	MS27683-73
34, 59 AND 79	MS27683-84	MS27683-74
30, 60 AND 80	MS27683-85	MS27683-75
29, 39, 58 AND 77	MS27683-86	MS27683-76

MATERIAL: STEEL SPECIFICATION: ASTM A1011 HRS,
 LUG AND LOCKING RING 12 GA.
 FINISH AND MARKING: IN ACCORDANCE WITH PROCUREMENT SPECIFICATION



300 Lake Road
 Medina, Ohio 44256
 sales@packspec.com
 (330) 723-6000, (800) 344-9271
 Fax (330) 725-6180

Title		DRUMS, METAL - SHIPPING AND STORAGE
Unless Otherwise Specified		16 TO 80 GALLONS
xx Decimals ± .03	Drawing No.	PSI-MS27683 A
xxx Decimals ± .005	Sheet No.	3 OF 3
Angles ± 2°	Date	07/06/2022
PROCUREMENT SPECIFICATION	Designed By	
ML-DTL-8054G	Drawn By	TD
	Checked By	FT